

Version	2.0	Date	4/5/18
Prepared By	JC		

PRODUCT SPECIFICATION

Category	Security Wall Light
Item Number	7773
Stock Code	LED-FXSECW20/40K/MV
Mounting	Wall
Housing Color	Black



ELECTRICAL CHARACTERISTICS			
Rated Wattage (W)	20	Replacement Wattage (W)	100
Tested Wattage (W)	20		
Input Voltage (V)	120-277V	Surge Protect Level	1KV
Voltage Frequency (Hz)	50/60	Dimmable	-
Input Current (A)	0.2	AUX (12V) Line	-
Power Factor	>0.9	Photocell	Included
THD	<20%		

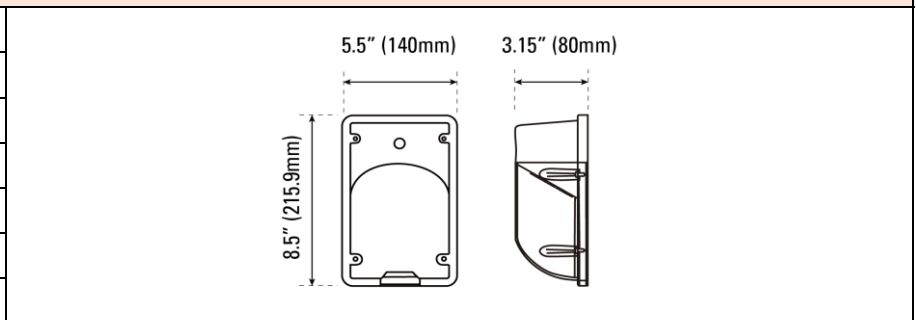
PHOTOMETRIC CHARACTERISTICS			
Lumen (lm)	1,622	CCT (K)	4000K
Efficacy (lm/w)	-	Beam Angle (°)	-
CRI	>80		

GENERAL CHARACTERISTICS	
Operating Temperature (°F)	-22°F ~ 131°
Storage Temperature (°F)	-40°F ~ 140°
IP Rating	IP65
IK Rating	-
Rated Life (Hrs)	50,000
Warranty (Yrs)	5

ACCESSORIES		
Item #	Stock Code	Description

PRODUCT DIMENSIONS

Width- in / (mm)	5.50" 140
Height- in / (mm)	8.50" 215.9
Depth- in / (mm)	3.15" 80
EPA (ft²)	-
Weight (lbs)	1.3
Mounting Height (ft)	-
Cable Length (ft)	-



CERTIFICATIONS			
UL/ETL	ETL	CEC	
NSF/ETL Sanitation		JA8	
Energy Star	✓	FCC	✓
DLC		RoHs	✓

DOCUMENTS			
LM79	✓	IES File	✓
LM80	✓	Dimmer List	

COMMENTS

--